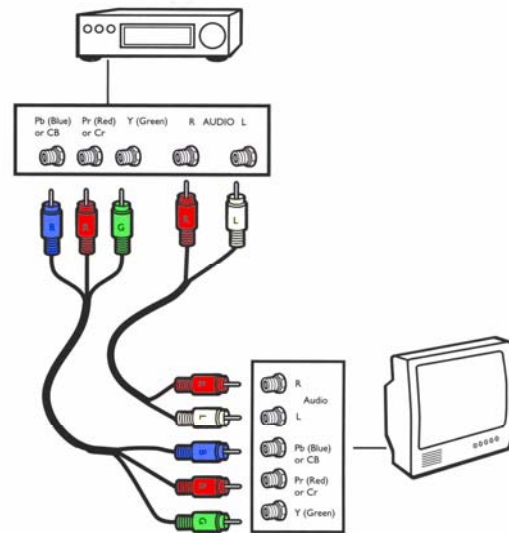


## How to hook up your HDTV set top box

To receive High Definition content on your High Definition Television, you need to use one of the two following methods to hook up to the Consolidated Cable Vision High Definition set top box.

To begin setting up your HDTV set top box, check out the back of the box, where you'll find both HDMI and component jacks.

If you choose HDMI, start by plugging one end of your HDMI cable into the HDMI-out jack on the back of your set top box.



To connect HDMI directly to your HDTV, plug the other end of the HDMI cable into the HDMI-in jack on the back of your HDTV.

To connect HDMI through your A/V receiver and then to your TV, plug the other end of the HDMI cable into your HDMI jack on the back of your receiver. Then, get a second HDMI cable to connect the HDMI-out on your receiver to the HDMI-in on the back of your HDTV.

If you choose to go the component route, start by plugging one end of your component cable into the color-coded component jacks (red, green, blue) on the back of your set top box. You will also need to connect a red and white RCA cable for the audio left and right.

To hook up the component connection directly to your HDTV, plug the other end of the color-coded component cable (red, green, blue) into the component HD-in jacks on the back of your HDTV. You will also need to connect the red and white RCA cable in to your HDTV for left and right audio.

To hook up the component connection through your A/V receiver and then to your TV, plug the other end of the component cable into your color-coded component input jacks (red, green, blue) on the back of your receiver along with a red and white RCA cable for left and right audio. Then, get a second component cable, to connect the component HD-out on your receiver to the component HD-in on the back of your HDTV.

In either of the two scenarios above, you need to go into the menu of your HDTV and switch your input to the component cable input or the HDMI input.